

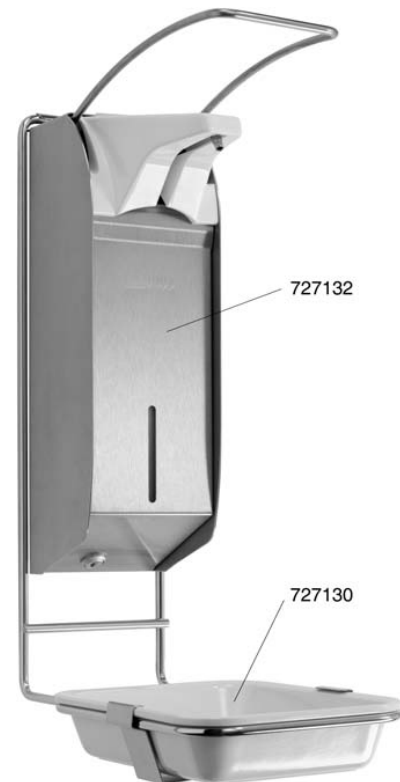
DISINFECTANT DISPENSER WP120



81 x 245 x 215 mm

500 ml bottle disinfectant

- Disinfectant dispenser in robust, germ-reducing and easy-care stainless steel (AISI 304).
- Half-open stainless steel housing; visible surfaces satin finished and brushed.
- Elbow-operated disinfectant pump, can be set to different levels and autoclaved.
- Designed for standard 500 ml disposable bottles of disinfectant.
- Accessible for refilling from the front side. Lockable cover plate in stainless steel as an option for a surcharge.
- Further accessories for a surcharge: drip tray
- Wear parts can be replaced as modules.
- Mounting: With three screws through holes in the back wall.
- Delivery includes fixing material.
- Weight, including single package: 1.0 kg

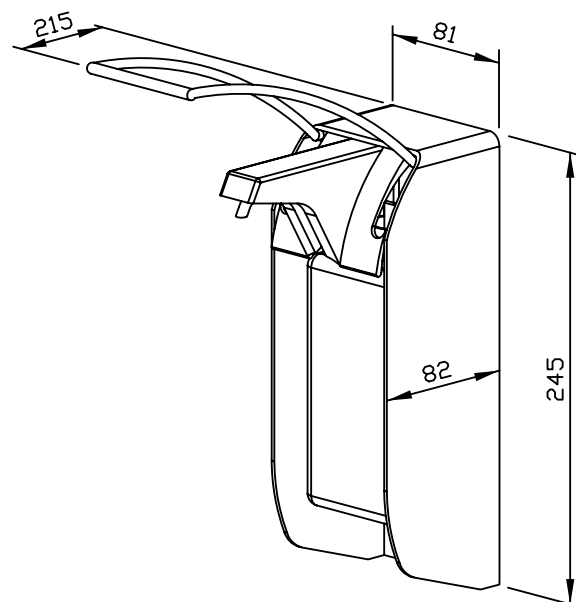


Suggested text for specifications:

Disinfectant dispenser in stainless steel (AISI 304) for surface mounting. Half-open stainless steel housing; visible surfaces satin finished and brushed. Elbow-operated disinfectant pump, can be set to different levels and autoclaved. Designed for standard 500 ml disposable bottles of disinfectant. Accessible for refilling from the front side. Lockable cover plate in stainless steel as an option. Delivery includes fixing material.

Dimensions: 81 x 245 x 215 mm

Article No. WP120



Options	ID No.
Lockable cover plate in stainless steel.	727 132
Drip tray	727 130

Available surface	ID No.
satin finished	727 120

Ernst Wagner GmbH & Co. KG

Ernst-Abbe-Straße 21 · D-72770 Reutlingen · Tel.: +49712151539-0 · Fax: -20
 info@wagner-ewar.de · www.wagner-ewar.de

WAGNER
EWAR